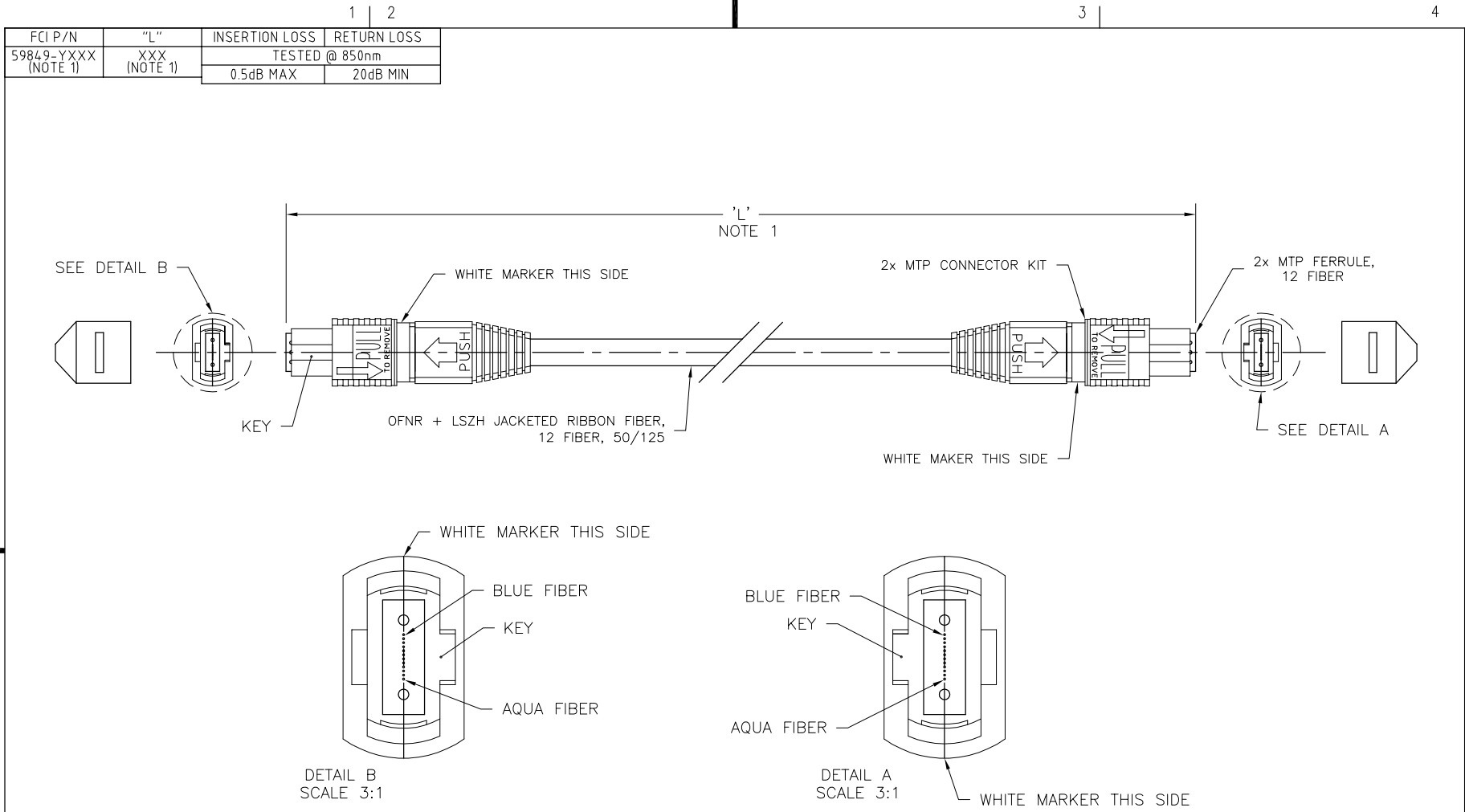


Tous droits strictement réservés. Reproduction ou communication a des tiers interdite sous quelque forme que ce soit sans autorisation écrite du propriétaire. Propriété de c FCI. Droits de reproduction FCI.

FCI

All rights strictly reserved. Reproduction or issue to third parties in any form whatever is not permitted without written authority from the proprietor. Property of FCI. Copyright FCI.



NOTES:

- FCI P/N CONSISTS OF A 5 DIGIT DRAWING NUMBER, A DASH, AND A SUFFIX FORMATTED YXXX WHERE: Y IS THE UNIT OF LENGTH (Y=F FOR FEET AND Y=M FOR METERS) AND XXX IS THE LENGTH "L" EX. 59849-M004 IS 4 METERS IN LENGTH.

mat'l. code				tolerances unless otherwise specified			CUSTOMER COPY		 www.fciconnect.com	
ltr	ecn no	dr	date	linear	NOMINALS ONLY		projection	title CA, MTPF-MTPF, IB 4X-SX-50 (KU-KU)		
A	V11438	JJK	7/31/01		UNLESS NOTED					
B	V11446	JJK	8/22/01	angles			 MM	product family FIBER OPTICS		code
C	V12394	JRW	12/11/01					size	dwg no	
D	V20910	JRW	5/13/02	dr	J. KILE	7/31/01	scale	A4	59849	1 of 1
				enr	G. WARNER	7/31/01				
				chr	G. WARNER	7/31/01				
				appd	G. WARNER	7/31/01				
sheet index	revision sheet									
								cage code		4
								22526		

ACAD